

If you **bend large sheet metal** and your **operators find it difficult** the solution to facilitate them while **ensuring safety and speed of execution** is our banding aid Up.

With manual handling by trolley and stationary feet, UP 300 BASIC is **manually moved vertically and horizontally** by means of handwheels with provision for our suction cup kit COD. 025 V - UP VACUUM and can be combined with UP CABINET SINGLE or DOUBLE electrical cabinet.

Maximum capacity: 150kg



Our Up:

- It is installed on the front of your current press brake
- It will **increase the productivity** of the machine
- Your operators will be able to **work more fluidly**
- It **reduces the risk of injury** to the worker (eg tilting the sheet)

Up helps the operator to improve his job,
protecting his life and your business
while increasing productivity.

TRIVENETA IMPIANTI S.r.l.

Administrative Headquarters: Via Scopella, 22 - 37060 Castel d'Azzano (VR) - Italy

Operational Headquarters: Via Bovolino, 18/B - 37060 Buttapietra (VR) - Italy

Phone: +39 045 518 747 - Fax +39 045 854 56 05 - Web Site: www.trivenetaimpianti.com - Email: sales@trivenetaimpianti.com



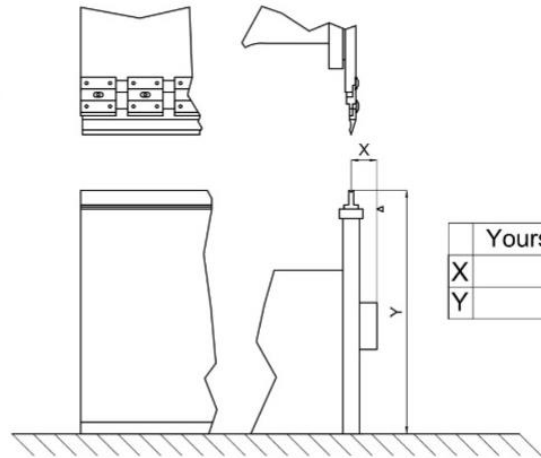
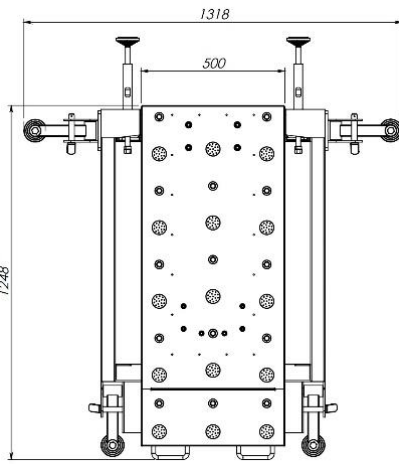
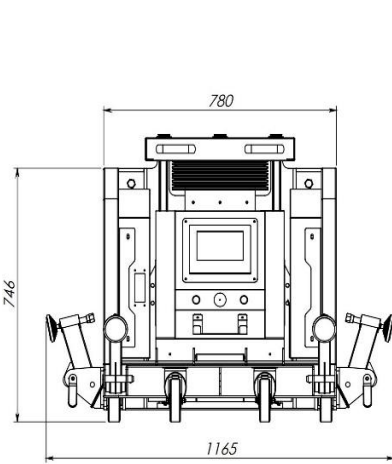
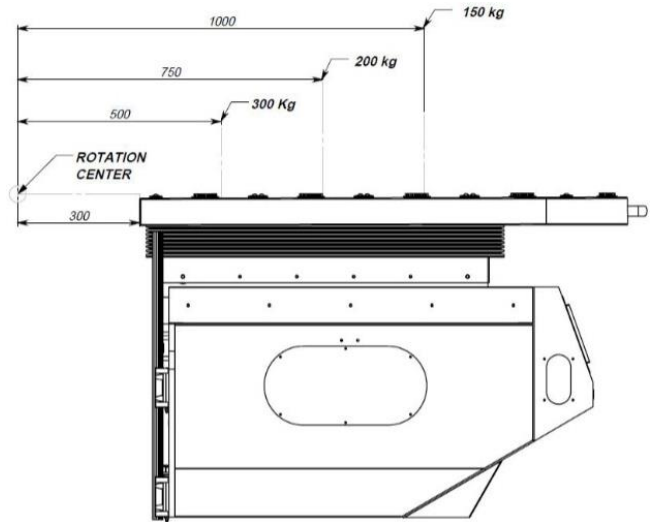
TRIVENETA SISTEMI

UP 300 BASIC W

COD. 025 300 BW

Up is a bending aid that we define “sheet follower” and helps the operator to improve his work by **protecting his safety and facilitating him** so as to help in turn your company to **increase the quality and speed** of production.

DIMENSIONS: Width 760mm - Length 1100mm
HEIGHT: adjustable from 950mm to 1150mm
ROTATION CENTRE: 300mm
SUPPORT TOP DIMENSIONS: 500 x 1000, extendable up to 1500mm
WEIGHT: 580 kg
AVAILABLE TORQUE: 150 kgm
ANGLE OF INCLINATION OF THE PLANE: 0° / 75°
ACCURACY: +/- 0.5°
FORWARD/BACKWARD ADJUSTMENT: manual run of 120mm
HEIGHT ADJUSTMENT: manual run 200mm
SAFETY BRAKE SEPARATED FROM THE ENGINE



TRIVENETA IMPIANTI S.r.l.

Administrative Headquarters: Via Scopella, 22 - 37060 Castel d'Azzano (VR) - Italy

Operational Headquarters: Via Bovolino, 18/B - 37060 Buttapietra (VR) - Italy

Phone: +39 045 518 747 - Fax +39 045 854 56 05 - Web Site: www.trivenetaimpianti.com - Email: sales@trivenetaimpianti.com