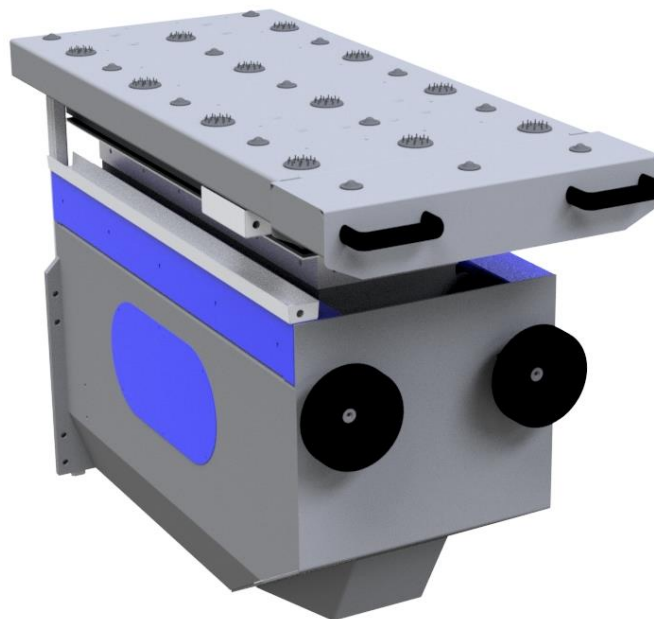


If you **bend large sheet metal** and your **operators find it difficult** the solution to facilitate them while **ensuring safety and speed of execution** is our banding aid Up.

UP 300 ON è applicabile su UP RAIL con **movimentazione manuale** verticale ed orizzontale tramite volantini con predisposizione per il kit ventose ns. COD. 025 V - UP VACUUM ed abbinabile a quadro elettrico UP CABINET SINGLE (COD. 025 CS) o DOUBLE (COD. 025 CD)

**Portata massima: 150kg**



Our Up:

- It is installed on the front of your current press brake
- It will **increase the productivity** of the machine
- Your operators will be able to **work more fluidly**
- It **reduces the risk of injury** to the worker (eg tilting the sheet)

Up helps the operator to improve his job,  
**protecting his life and your business**  
**while increasing productivity.**

## TRIVENETA IMPIANTI S.r.l.

Administrative Headquarters: Via Scopella, 22 - 37060 Castel d'Azzano (VR) - Italy

Operational Headquarters: Via Bovolino, 18/B - 37060 Buttapietra (VR) - Italy

Phone: +39 045 518 747 - Fax +39 045 854 56 05 - Web Site: [www.trivenetaimpianti.com](http://www.trivenetaimpianti.com) - Email: [sales@trivenetaimpianti.com](mailto:sales@trivenetaimpianti.com)



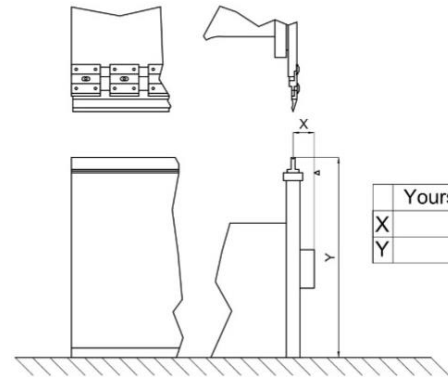
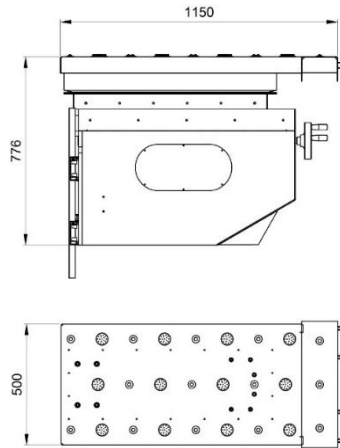
TRIVENETA SISTEMI

# UP 300 ON

COD. 025 300 ON

Up is a bending aid that we define “sheet follower” and helps the operator to improve his work by **protecting his safety and facilitating him** so as to help in turn your company to **increase the quality and speed** of production.

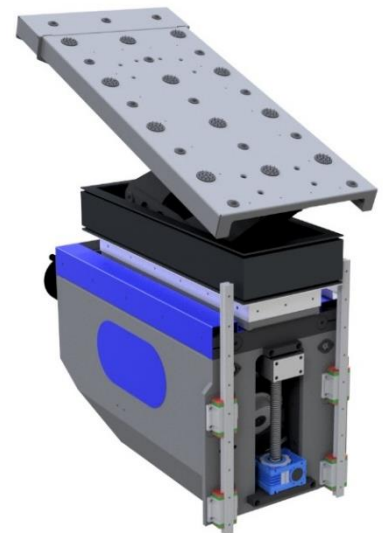
**DIMENSIONS:** Width 760mm - Length 1100mm  
**HEIGHT:** adjustable from 950mm to 1150mm  
**ROTATION CENTRE:** 300mm  
**SUPPORT TOP DIMENSIONS:** 500 x 1000, extendable up to 1500mm  
**WEIGHT:** 250 kg  
**AVAILABLE TORQUE:** 150 kgm  
**ANGLE OF INCLINATION OF THE PLANE:** 0° / 75°  
**ACCURACY:** +/- 0.5°  
**FORWARD/BACKWARD ADJUSTMENT:** manual run of 120mm  
**HEIGHT ADJUSTMENT:** manual run 200mm  
**SAFETY BRAKE SEPARATED FROM THE ENGINE**



Movement via levers and recirculating screws

External brake applied on the ball screw

500x1800 extendable table with balls and brushes



## TRIVENETA IMPIANTI S.r.l.

Administrative Headquarters: Via Scopella, 22 - 37060 Castel d'Azzano (VR) - Italy

Operational Headquarters: Via Bovolino, 18/B - 37060 Buttapietra (VR) - Italy

Phone: +39 045 518 747 - Fax +39 045 854 56 05 - Web Site: [www.trivenetaimpianti.com](http://www.trivenetaimpianti.com) - Email: [sales@trivenetaimpianti.com](mailto:sales@trivenetaimpianti.com)